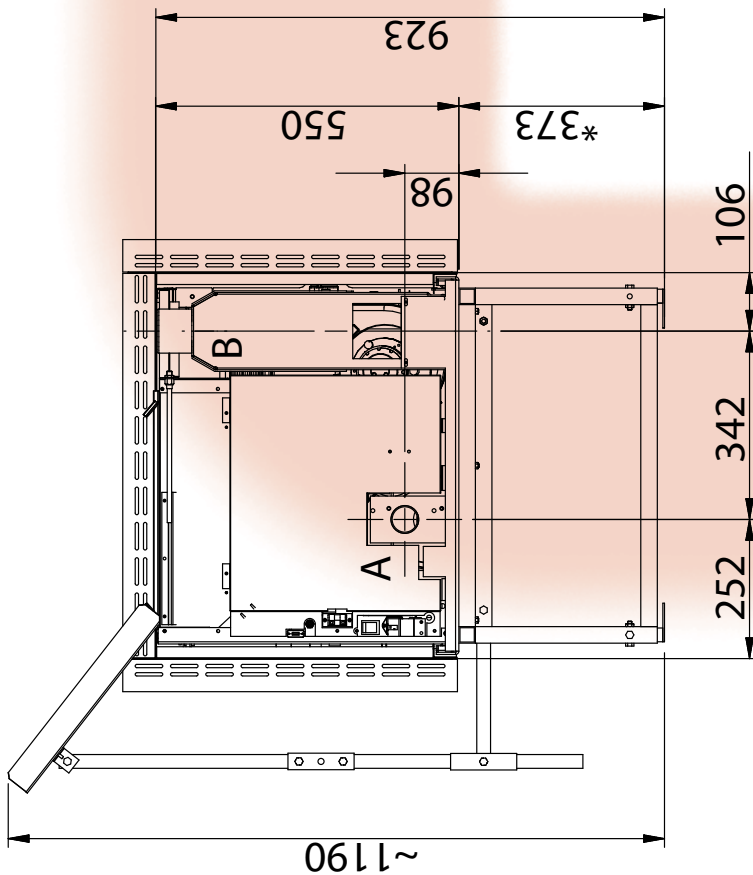
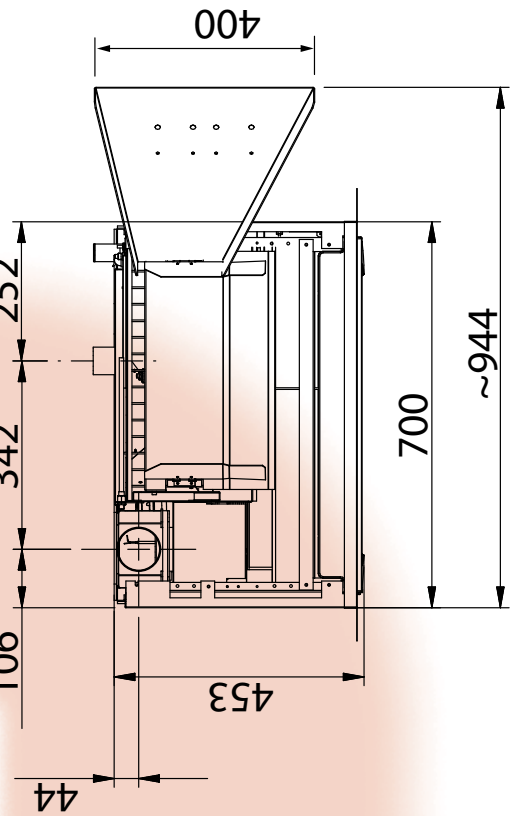
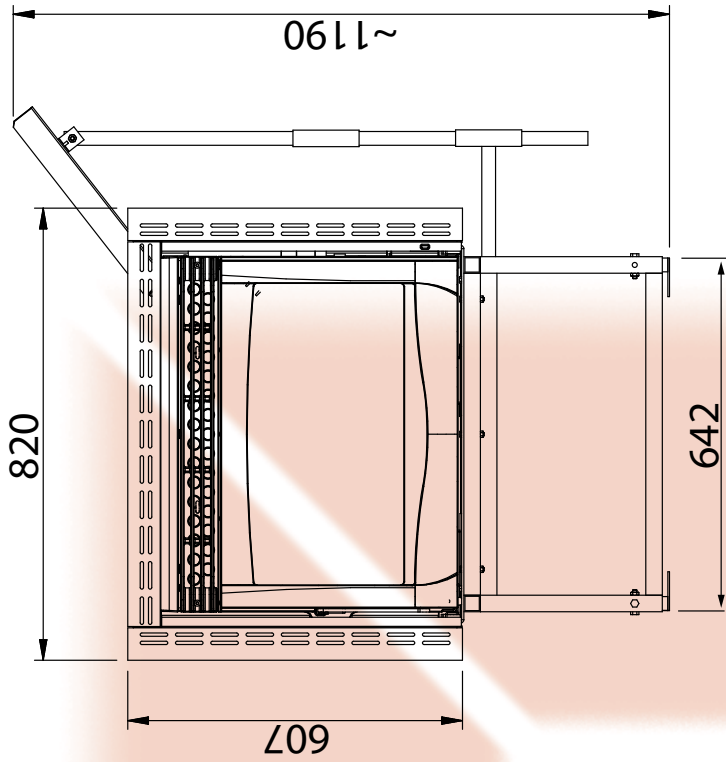


COMFORT MINI



A = AIR INTAKE PIPE Ø 50 mm
B = FLUE GAS EXHAUST PIPE Ø 80 mm
*** = THE "ADJUSTMENT PIPE" DETAIL IS PERFORATED WITH 3 HOLES Ø 8.5 MM WITH PITCH OF: 90 - 100: FOR DIFFERENT ADJUSTMENTS DRILL ACCORDING TO NECESSITY**

EXTRAFLEAME S.p.A.

Via dell'Artigianato, 10 I-36030 Montebelluna (VI) ITALY Tel. 0445/865911 - Fax 0445/865912 C. Fisc. e Part. IVA 00546030248
 sales site: <http://www.lanordica-extraflame.com> - after-sales assistance portal: <http://www.extraflame.it/support> - E-mail: info@extraflame.com